

## 27 / 48 Compression Latches

Self-adjusting · Single hole mount

### Features

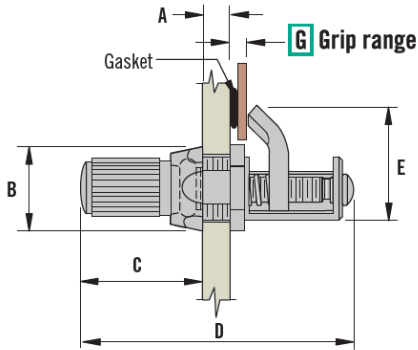
- Two sizes available
- Easy grip adjustment
- Multiple head styles

### Material

- Steel, zinc plated or stainless steel

### Product Performance

- 27 maximum static load: 155 N
- 48 maximum static load: 220 N

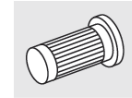


Size	A	B	C	D	E
27 Series Miniature	4.8 (.19) Maximum	10.3 (.41) Maximum	17.5 (.69) Maximum	31.8 (1.25)	13.9 (.55)
48 Series Small	4.8 (.19) Maximum	21 (.81) Maximum	19 (.75) Maximum	44 (1.73)	25.3 (.99)

Nylon knob



Knurled



Slotted



Hex recess



Phillips recess



### 27 Series · Miniature

Material	Grip Range		Knurled	Slotted	Hex Recess	Nylon Knob
	Minimum	Maximum				
Steel	0.8 (.03)	7.1 (.28)	27-99-123-10 *	27-10-501-10 *	27-10-701-10 *	27-10-311-10 *
Stainless steel	0.8 (.03)	7.1 (.28)	27-99-123-20 *	27-10-501-20 *	27-10-701-20 *	27-10-311-20 *

\*all part numbers shown are for clockwise rotation. Contact Gripwell for specification and ordering details.

### 48 Series · Small

Material	Grip Range		Nylon Knob	Slotted	Hex Recess	Phillips Recess
	Minimum	Maximum				
Steel	2.4 (.09)	9.5 (.38)	48-10-401-10	48-11-R	48-81-R	48-91-R
Steel	8.7 (.34)	15.9 (.63)	48-10-402-10	48-12-R	48-82-R	48-92-R
Steel	15.1 (.59)	22.2 (.88)	48-10-403-10	48-13-R	48-83-R	48-93-R